

PROPOSED CONSTRUCTION OF MCH IN  
GARBAHAREY DISTRICT, GEDO REGION

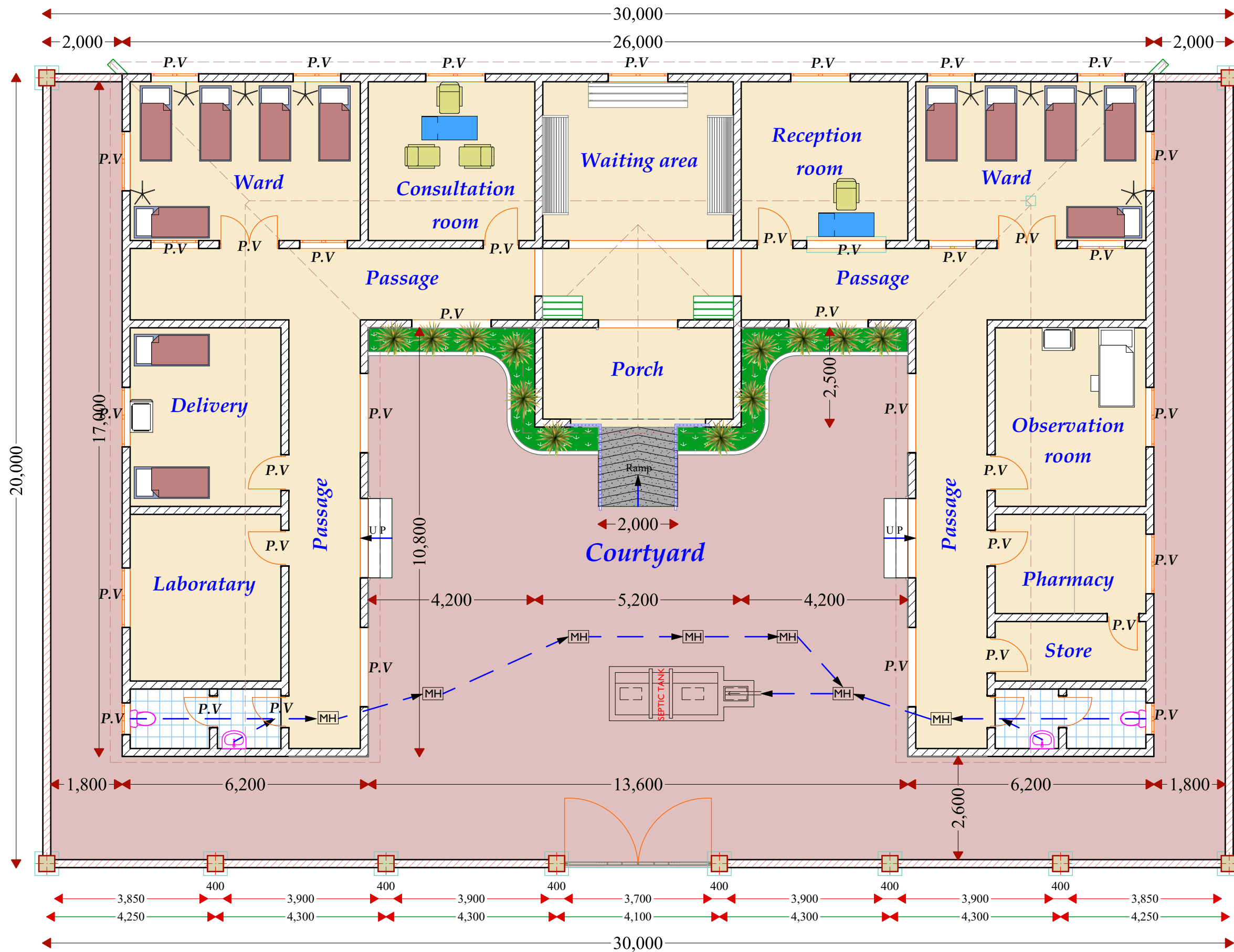




# AUGUST 2018 DRAWING INDEX

Sheet No.	Content
01/22	Master plan
02/22	Floor Plan
03/22	Elevations 1&2
04/22	Elevations 3&4
05/22	Section views
06/22	Roof Plan
07/22	Truss layout
08/22	Truss detail
09/22	Foundation layout
10/22	Ring beam layout
11/22	Electrical layout
12/22	Septic tank
13/22	Boundary wall detail
14/22	3D Projection 01
15/22	3D Projection 02
16/22	3D Projection 03
17/22	3D Projection 04
18/22	3D Projection 05
19/22	3D Projection 06
20/22	3D Projection 07
21/22	3D Projection 08
22/22	3D Projection 09





# Master Plan

## Notes

- All dimensions are to be checked on site. Any discrepancy in dimensions is to be reported to the architect before any work commences. The Architect's drawings and specifications over rule any other. The Structural Engineers detail drawings.
- All construction work to comply with the international standards codes protection.
- The P.V denotes permanent ventilation and must be provided above all doors and windows where indicated.
- All walls less than 200mm thick are to be reinforced with hoop iron sheet every alternate course.
- All reinforced concrete works to be done according to structural detail drawings

No:	Date:	Description:
REVISION		

Implemented by:



International Organization for Migration (IOM)  
The UN Migration Agency

Client:



THE FEDERAL REPUBLIC OF SOMALIA  
JUBALAND STATE, GARBHAREY DISTRICT

Project Title:  
PROPOSED CONSTRUCTION OF MCH IN GARBHAREY DISTRICT, GEDO REGION

Drawing Title:  
**MASTER PLAN**

SCALE: AS SHOWN

DATE: AUGUST 2018

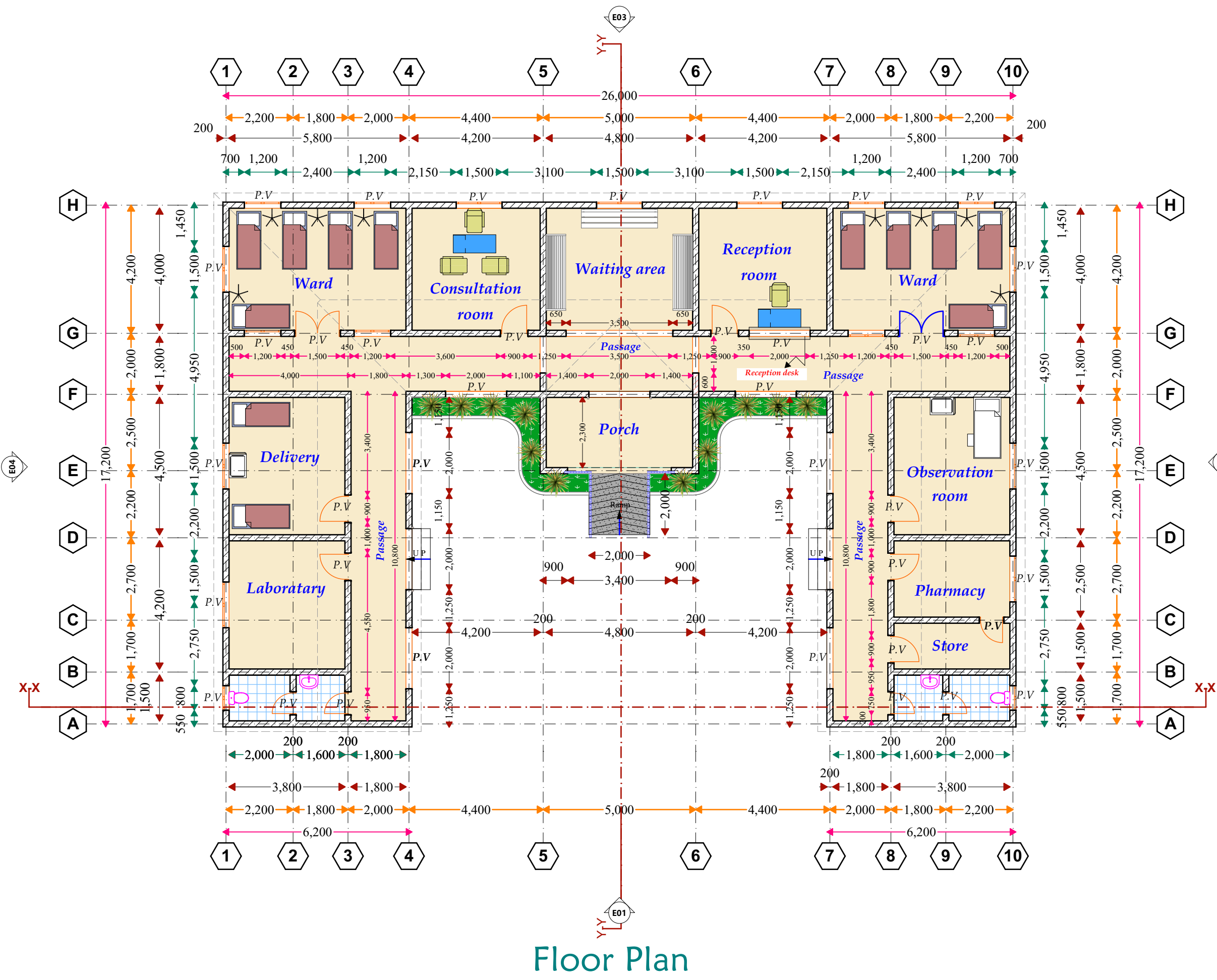
DRAWN BY: **ENG. Duale Salah**

REVIEWED BY:

Sheet No.

**01/25**

A3



**Floor Plan**

# Notes

1. All dimensions are to be checked on site. Any discrepancy in dimensions is to be reported to the architect before any work commences. The Architect's drawings and specifications over rule any other. The Structural Engineers detail drawings.
2. All construction work to comply with the international standards codes protection.
3. The PV denotes permanent ventilation and must be provided above all doors and windows where indicated.
4. All walls less than 200mm thick are to be reinforced with hoop iron sheet every alternate course.
5. All reinforced concrete works to be done according to structural detail drawings

No:	Date:	Description:
REVISION		

Implemented by:

International Organization for Migration (IOM)  
The UN Migration Agency

Client:

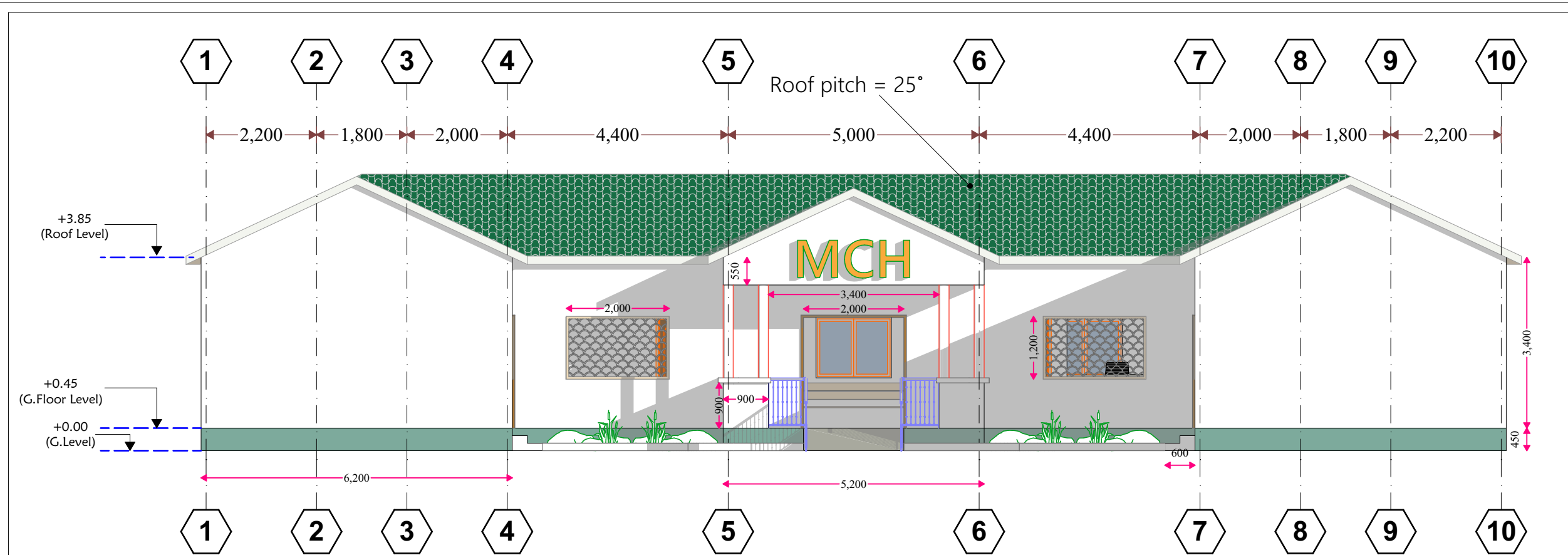
THE FEDERAL REPUBLIC OF SOMALIA      JUBALAND STATE, GARBHAREY DISTRICT

Project Title:  
PROPOSED CONSTRUCTION OF MCH IN GARBHAREY DISTRICT, GEDO REGION

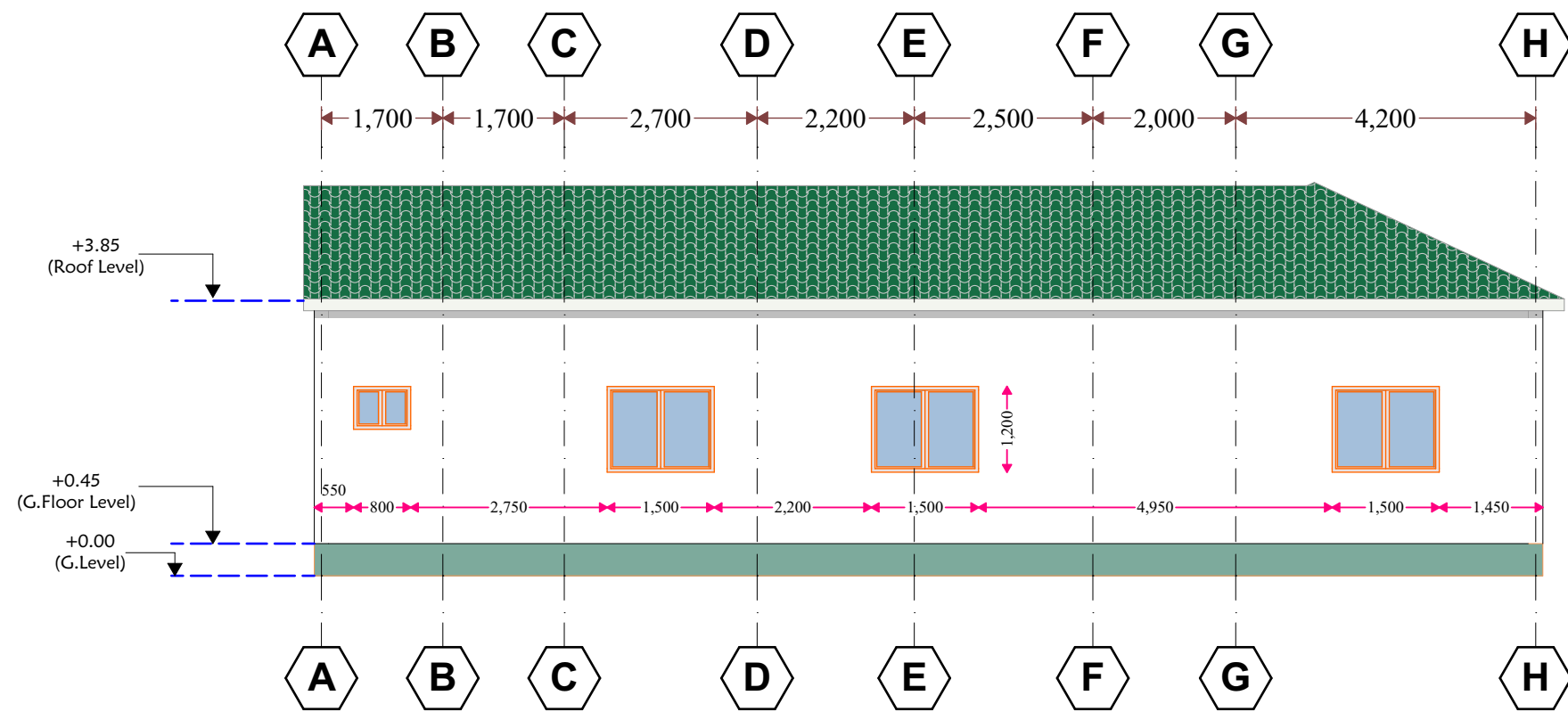
Drawing Title:  
**FLOOR PLAN**

SCALE: AS SHOWN  
DATE: AUGUST 2018  
DRAWN BY: ENG. Duale Salah  
REVIEWED BY:

Sheet No.  
**02/25**  
A3



Front Elevation E-01



Right side Elevation E-02

## Notes

1. All dimensions are to be checked on site. Any discrepancy in dimensions is to be reported to the architect before any work commences. The Architect's drawings and specifications over rule any other. The Structural Engineers detail drawings.
2. All construction work to comply with the international standards codes protection.
3. The PV denotes permanent ventilation and must be provided above all doors and windows where indicated.
4. All walls less than 200mm thick are to be reinforced with hoop iron sheet every alternate course.
5. All reinforced concrete works to be done according to structural detail drawings.

No:	Date:	Description:
REVISION		

Implemented by:



International Organization for Migration (IOM)  
The UN Migration Agency

Client:



THE FEDERAL REPUBLIC OF SOMALIA



JUBALAND STATE, GARBHAREY DISTRICT

Project Title:

PROPOSED CONSTRUCTION OF MCH IN GARBHAREY DISTRICT, GEDO REGION

Drawing Title:

**ELEVATIONS**

SCALE: AS SHOWN

DATE: AUGUST 2018

DRAWN BY: **ENG. Duale Salah**

REVIEWED BY:

Sheet No.

**03/25**

A3

# Notes

1. All dimensions are to be checked on site. Any discrepancy in dimensions is to be reported to the architect before any work commences. The Architect's drawings and specifications over rule any other. The Structural Engineers detail drawings.
2. All construction work to comply with the international standards codes protection.
3. The PV denotes permanent ventilation and must be provided above all doors and windows where indicated.
4. All walls less than 200mm thick are to be reinforced with hoop iron sheet every alternate course.
5. All reinforced concrete works to be done according to structural detail drawings



No:	Date:	Description:
REVISION		

Implemented by:



International Organization for Migration (IOM)  
The UN Migration Agency

Client:

THE FEDERAL REPUBLIC OF SOMALIA      JUBALAND STATE, GARBHAREY DISTRICT

Project Title:  
PROPOSED CONSTRUCTION OF MCH IN GARBHAREY DISTRICT, GEDO REGION

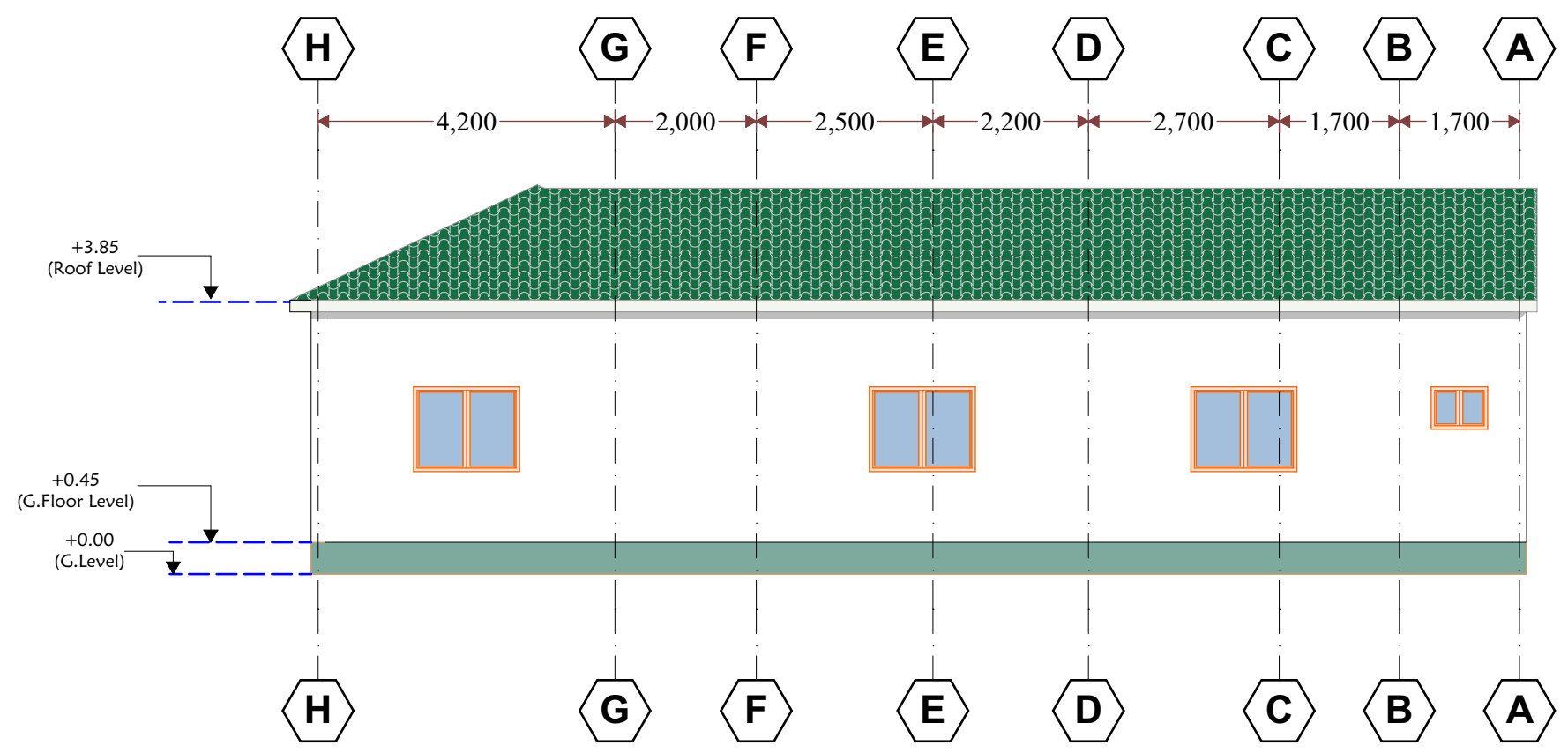
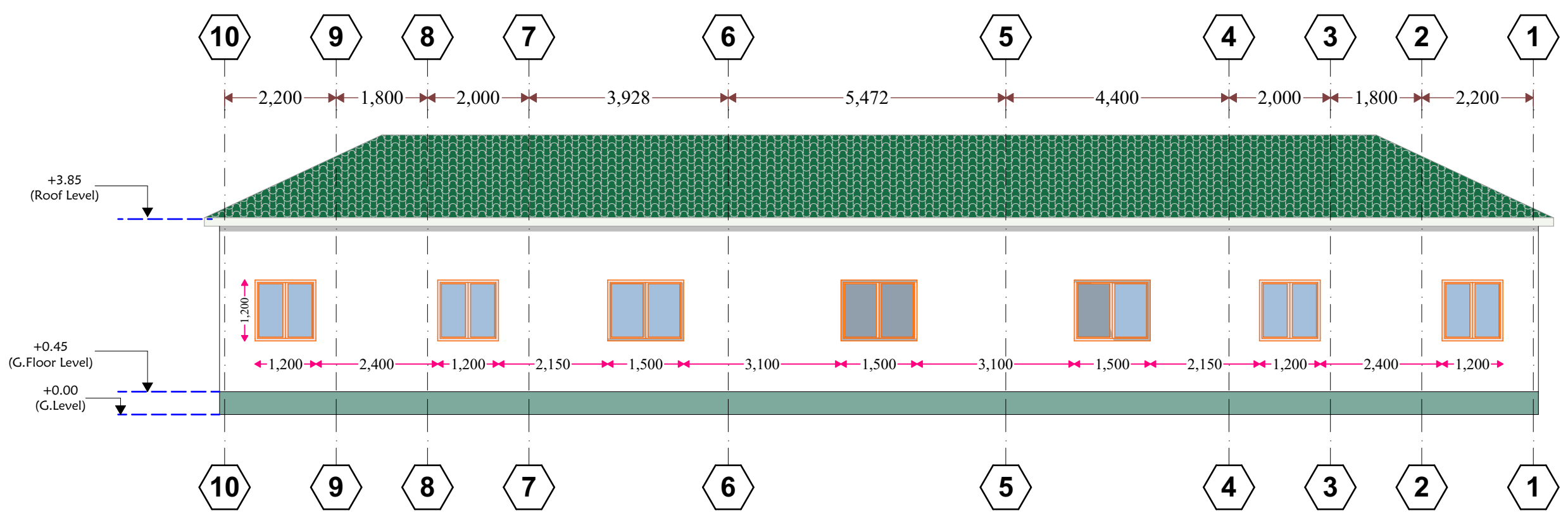
Drawing Title:  
**ELEVATIONS**

SCALE: AS SHOWN  
DATE: AUGUST 2018  
DRAWN BY: ENG. Duale Salah  
REVIEWED BY:

Sheet No.  
**04/25**  
A3

## Rear Elevation E-04

## Left side Elevation E-03





# Notes

1. All dimensions are to be checked on site. Any discrepancy in dimensions is to be reported to the architect before any work commences. The Architect's drawings and specifications over rule any other. The Structural Engineers detail drawings.
2. All construction work to comply with the international standards codes protection.
3. The PV denotes permanent ventilation and must be provided above all doors and windows where indicated.
4. All walls less than 200mm thick are to be reinforced with hoop iron sheet every alternate course.
5. All reinforced concrete works to be done according to structural detail drawings



No:	Date:	Description:
REVISION		

**Implemented by:**



International Organization for Migration (IOM)  
The UN Migration Agency

**Client:**

THE FEDERAL REPUBLIC OF SOMALIA  
JUBALAND STATE, GARBHAREY DISTRICT

**Project Title:**  
PROPOSED CONSTRUCTION OF MCH IN GARBHAREY DISTRICT, GEDO REGION

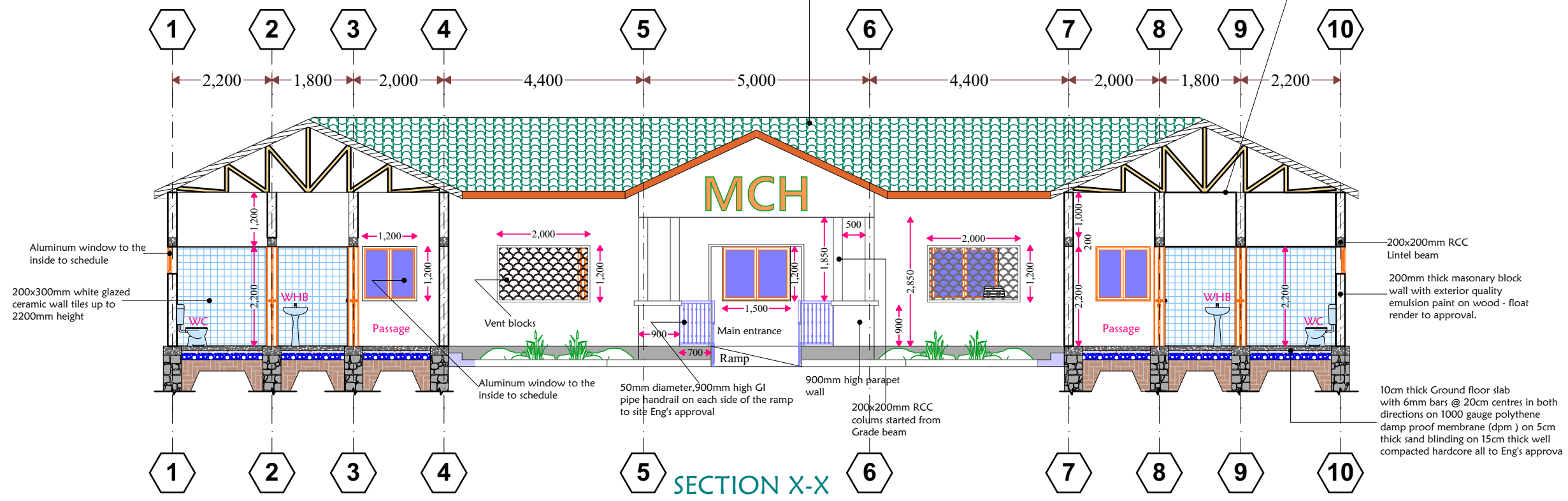
**Drawing Title:**  
**SECTION VIEWS**

**SCALE:** AS SHOWN  
**DATE:** AUGUST 2018  
**DRAWN BY:** ENG. Duale Salah  
**REVIEWED BY:**

**Sheet No.**  
**05/25**  
A3

Corrugated GI sheets gauge 28, fixed on celcurised cypress structure: 50x50mm Batts on 200X50mm Rafters @700mm, on 100X50mm Wall-plate bolted @ 1200mm centres; structure to SE details. GI lining on ridges and cut-outs

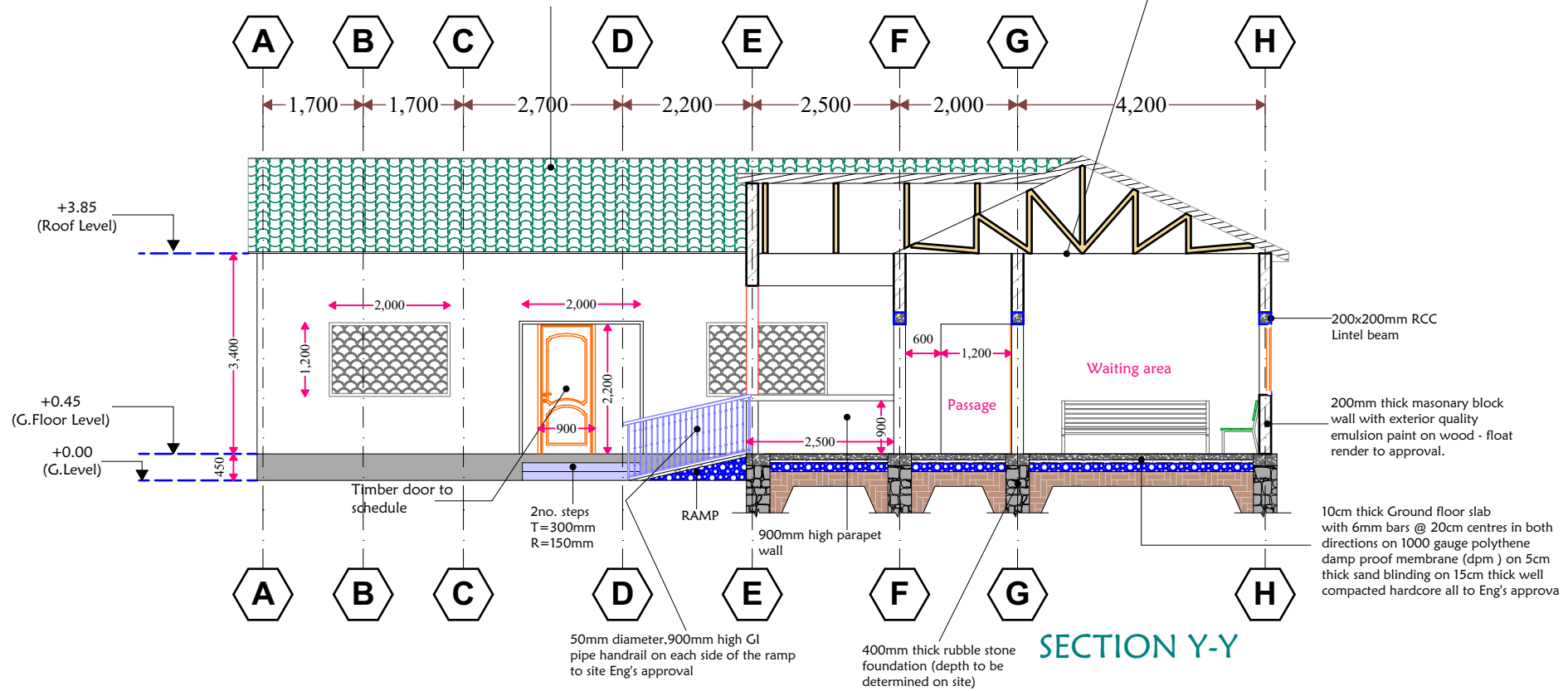
12mm thick chip-board ceiling on 50X50mm cypress branderling at 600 mm centres



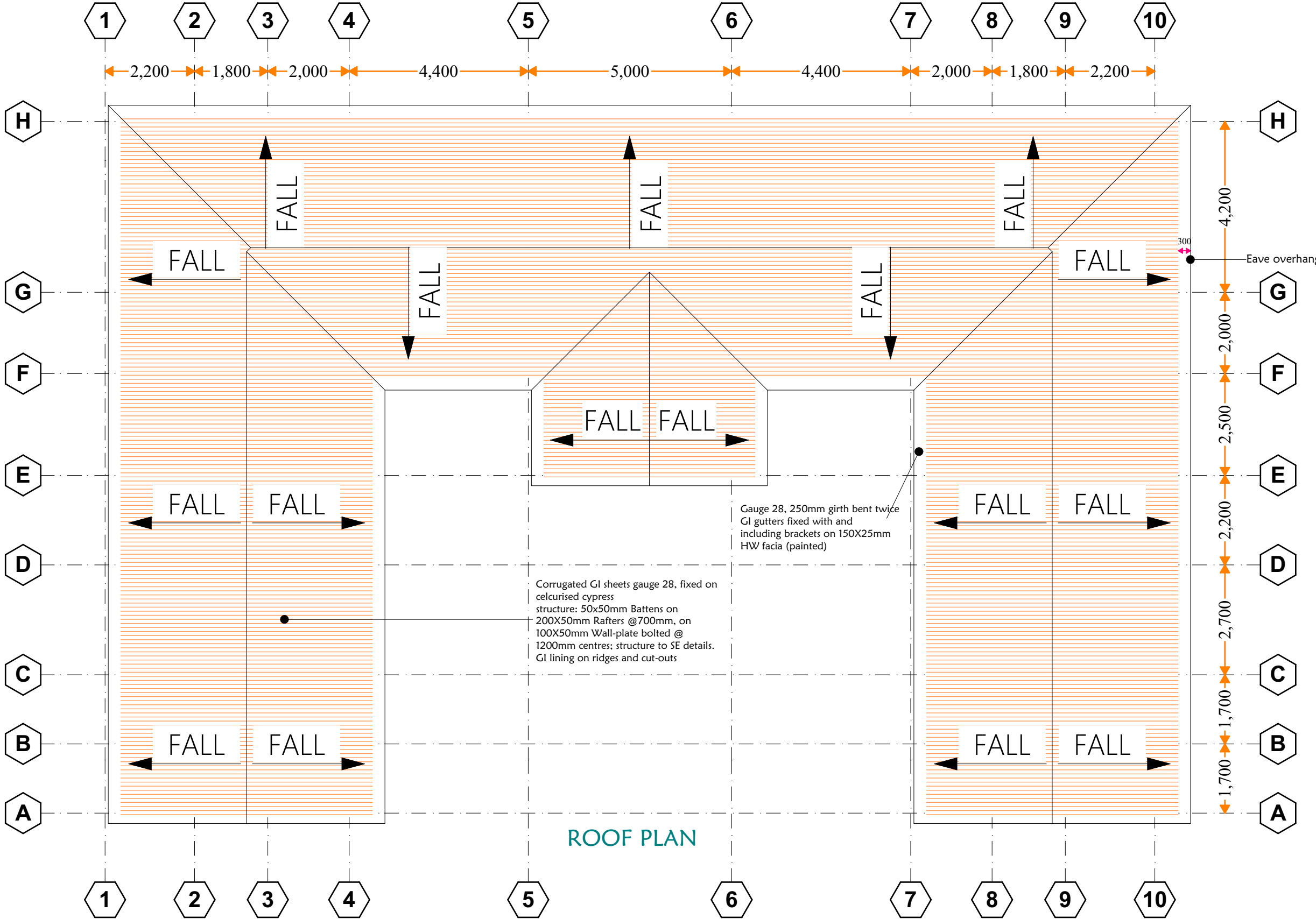
**SECTION X-X**

Corrugated GI sheets gauge 28, fixed on celcurised cypress structure: 50x50mm Batts on 200X50mm Rafters @700mm, on 100X50mm Wall-plate bolted @ 1200mm centres; structure to SE details. GI lining on ridges and cut-outs

12mm thick chip-board ceiling on 50X50mm cypress branderling at 600 mm centres



**SECTION Y-Y**



ROOF PLAN

# Notes

1. All dimensions are to be checked on site. Any discrepancy in dimensions is to be reported to the architect before any work commences. The Architect's drawings and specifications over rule any other. The Structural Engineers detail drawings.
2. All construction work to comply with the international standards codes protection.
3. The PV denotes permanent ventilation and must be provided above all doors and windows where indicated.
4. All walls less than 200mm thick are to be reinforced with hoop iron sheet every alternate course.
5. All reinforced concrete works to be done according to structural detail drawings

No:	Date:	Description:
REVISION		

Implemented by:

International Organization for Migration (IOM)  
The UN Migration Agency

Client:

THE FEDERAL REPUBLIC OF SOMALIA

JUBALAND STATE, GARBHAREY DISTRICT

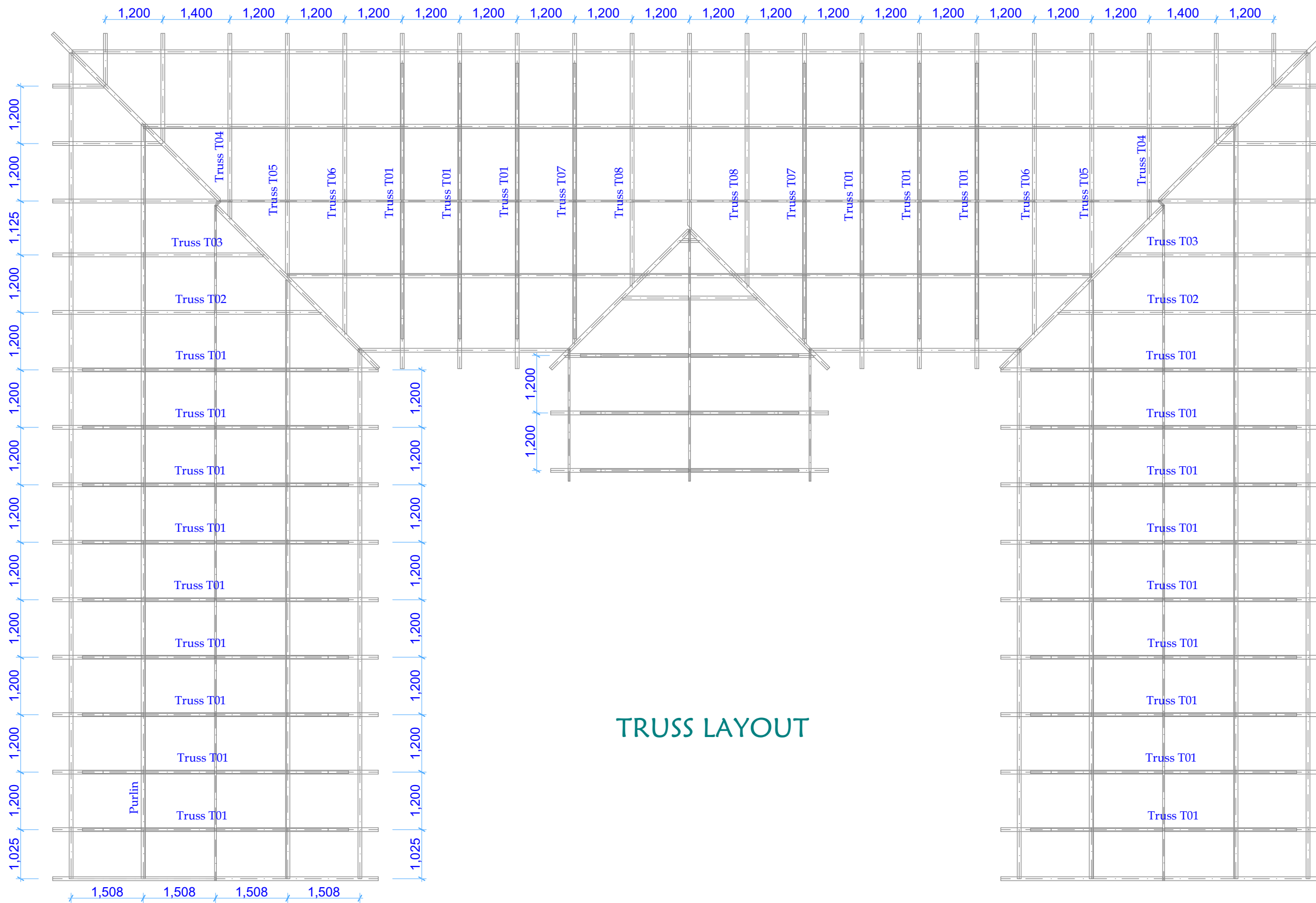
Project Title:  
PROPOSED CONSTRUCTION OF MCH IN GARBHAREY DISTRICT, GEDO REGION

Drawing Title:  
**ROOF PLAN**

SCALE: AS SHOWN  
DATE: AUGUST 2018  
DRAWN BY: ENG. Duale Salah  
REVIEWED BY:

Sheet No.  
**06/25**  
A3





## Notes

1. All dimensions are to be checked on site. Any discrepancy in dimensions is to be reported to the architect before any work commences. The Architect's drawings and specifications over rule any other. the Structural Engineers detail drawings.
2. All construction work to comply with the international standards codes protection.
3. The PV denotes permanent ventilation and must be provided above all doors and windows where indicated.
4. All walls less than 200mm thick are to be reinforced with hoop iron sheet every alternate course.
5. All reinforced concrete works to be done according to structural detail drawings

No:	Date:	Description:
REVISION		

Implemented by:



International Organization for Migration (IOM)  
The UN Migration Agency

Client:



THE FEDERAL REPUBLIC OF SOMALIA



JUBALAND STATE, GARBHAREY DISTRICT

Project Title:

PROPOSED CONSTRUCTION OF MCH IN GARBHAREY DISTRICT, GEDO REGION

Drawing Title:

**TRUSS LAYOUT**

SCALE: AS SHOWN

DATE: AUGUST 2018

DRAWN BY: **ENG. Duale Salah**

REVIEWED BY:

Sheet No.

**07/25**

A3

# Notes

1. All dimensions are to be checked on site. Any discrepancy in dimensions is to be reported to the architect before any work commences. The Architect's drawings and specifications over rule any other. The Structural Engineers detail drawings.
2. All construction work to comply with the international standards codes protection.
3. The PV denotes permanent ventilation and must be provided above all doors and windows where indicated.
4. All walls less than 200mm thick are to be reinforced with hoop iron sheet every alternate course.
5. All reinforced concrete works to be done according to structural detail drawings.



No:	Date:	Description:
REVISION		

Implemented by:



International Organization for Migration (IOM)  
The UN Migration Agency

Client:

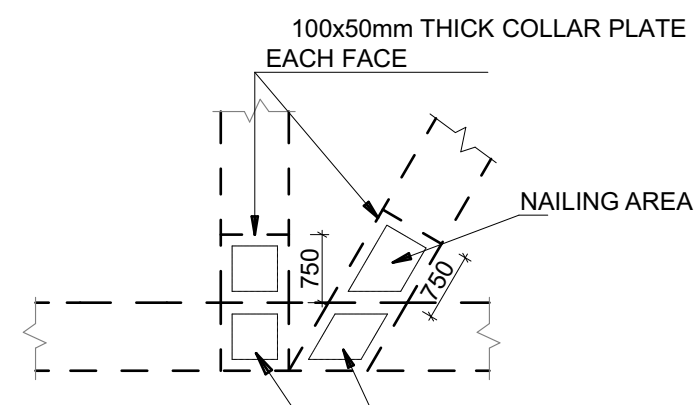
THE FEDERAL REPUBLIC OF SOMALIA      JUBALAND STATE, GARBHAREY DISTRICT

Project Title:  
PROPOSED CONSTRUCTION OF MCH IN GARBHAREY DISTRICT, GEDO REGION

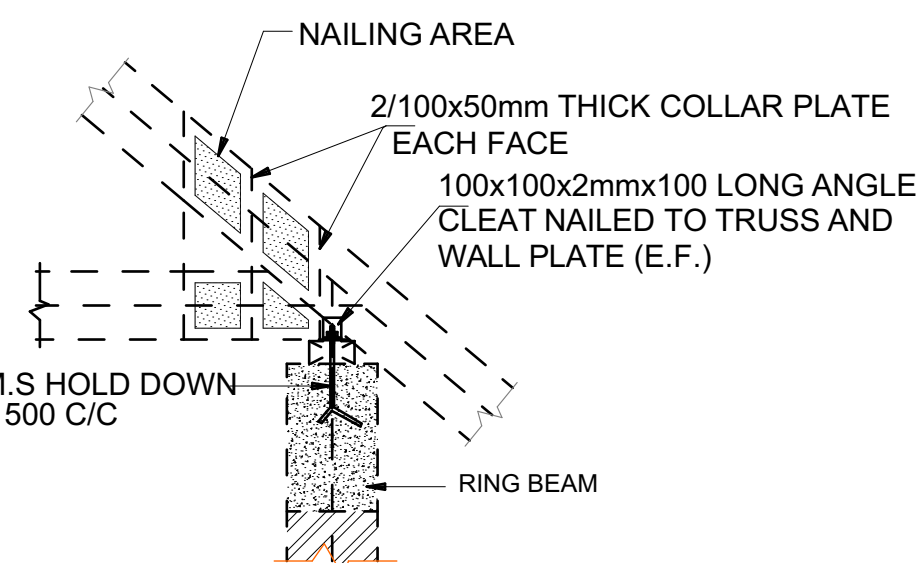
Drawing Title:  
**TRUSS DETAIL**

SCALE: AS SHOWN  
DATE: AUGUST 2018  
DRAWN BY: ENG. Duale Salah  
REVIEWED BY:

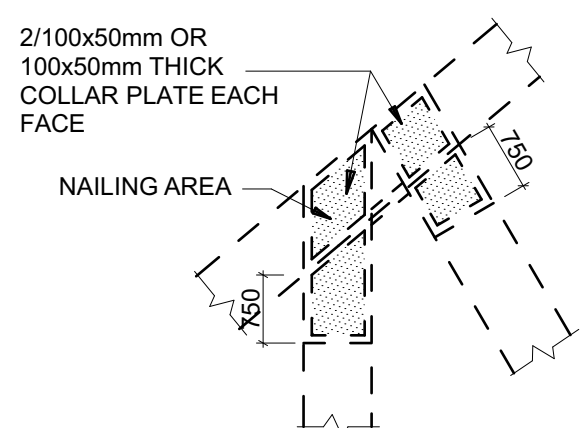
Sheet No.  
**08/25**  
A3



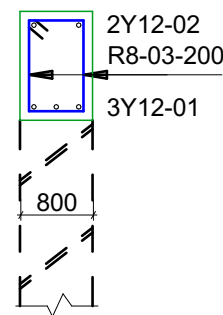
**DETAIL 'C'**  
(SCALE 1:20)



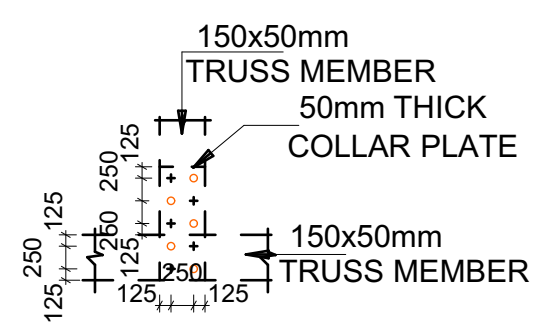
**DETAIL 'B'**  
(SCALE 1:20)



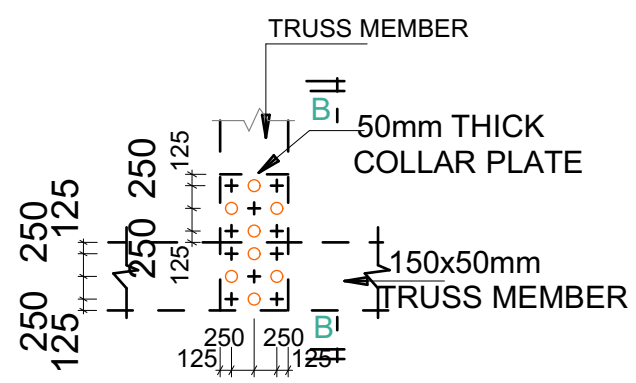
**DETAIL 'A'**  
(SCALE 1:20)



**300x200 RB1**  
(SCALE 1:25)



**TYPICAL NAILING PATTERN**  
(SCALE 1:20)





# Notes

1. All dimensions are to be checked on site. Any discrepancy in dimensions is to be reported to the architect before any work commences. The Architect's drawings and specifications over rule any other. the Structural Engineers detail drawings.
2. All construction work to comply with the international standards codes protection.
3. The PV denotes permanent ventilation and must be provided above all doors and windows where indicated.
4. All walls less than 200mm thick are to be reinforced with hoop iron sheet every alternate course.
5. All reinforced concrete works to be done according to structural detail drawings



No:	Date:	Description:
REVISION		

Implemented by:



International Organization for Migration (IOM)  
The UN Migration Agency

Client:

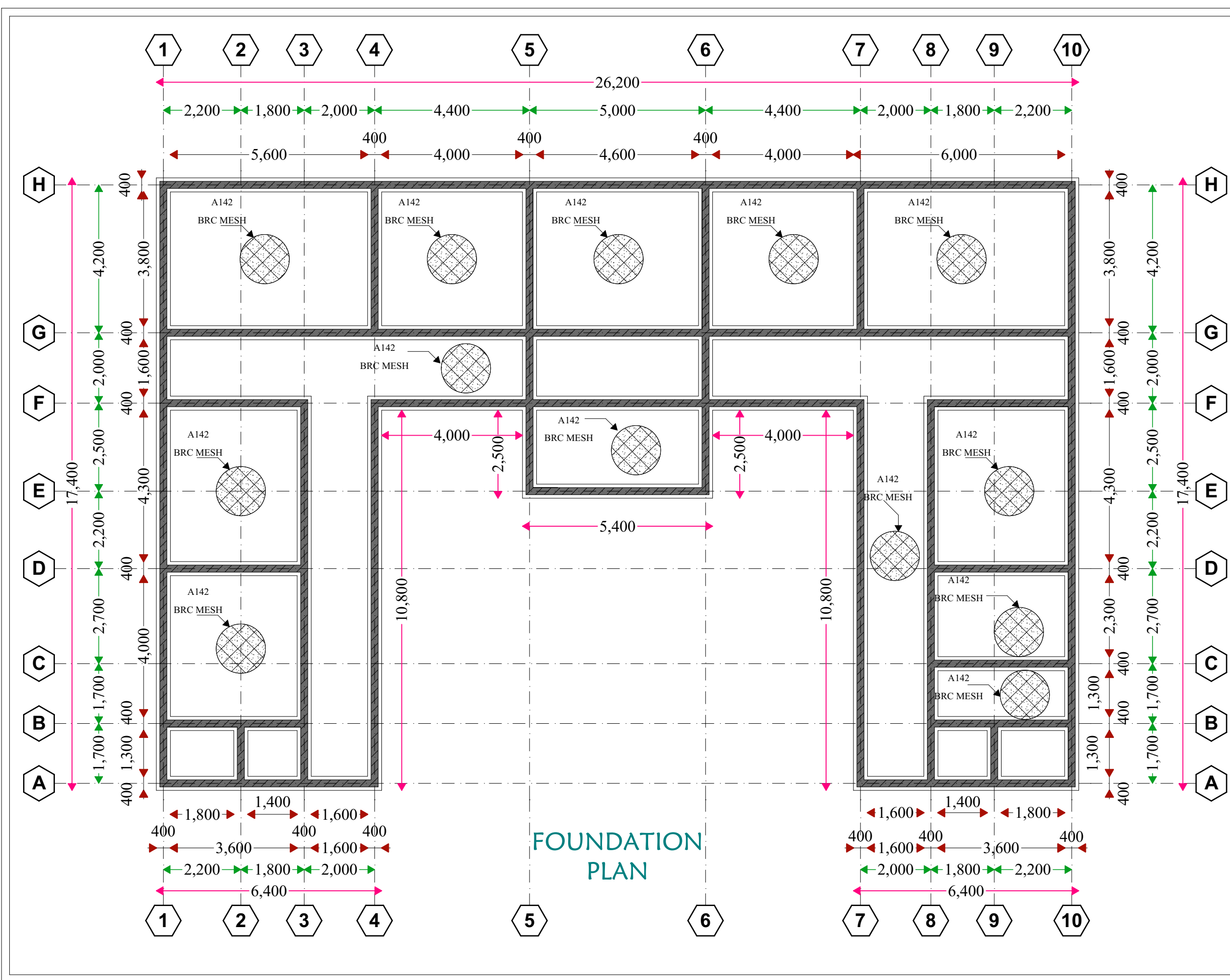
THE FEDERAL REPUBLIC OF SOMALIA      JUBALAND STATE, GARBHAREY DISTRICT

Project Title:  
PROPOSED CONSTRUCTION OF MCH IN GARBHAREY DISTRICT, GEDO REGION

Drawing Title:  
**FOUNDATION**

SCALE: AS SHOWN  
DATE: AUGUST 2018  
DRAWN BY: ENG. Duale Salah  
REVIEWED BY:

Sheet No.  
**09/25**  
A3



# Notes

1. All dimensions are to be checked on site. Any discrepancy in dimensions is to be reported to the architect before any work commences. The Architect's drawings and specifications over rule any other the Structural Engineers detail drawings.
2. All construction work to comply with the international standards codes protection.
3. The PV denotes permanent ventilation and must be provided above all doors and windows where indicated.
4. All walls less than 200mm thick are to be reinforced with hoop iron sheet every alternate course.
5. All reinforced concrete works to be done according to structural detail drawings

No:	Date:	Description:
REVISION		

Implemented by:



International Organization for Migration (IOM)  
The UN Migration Agency

Client:



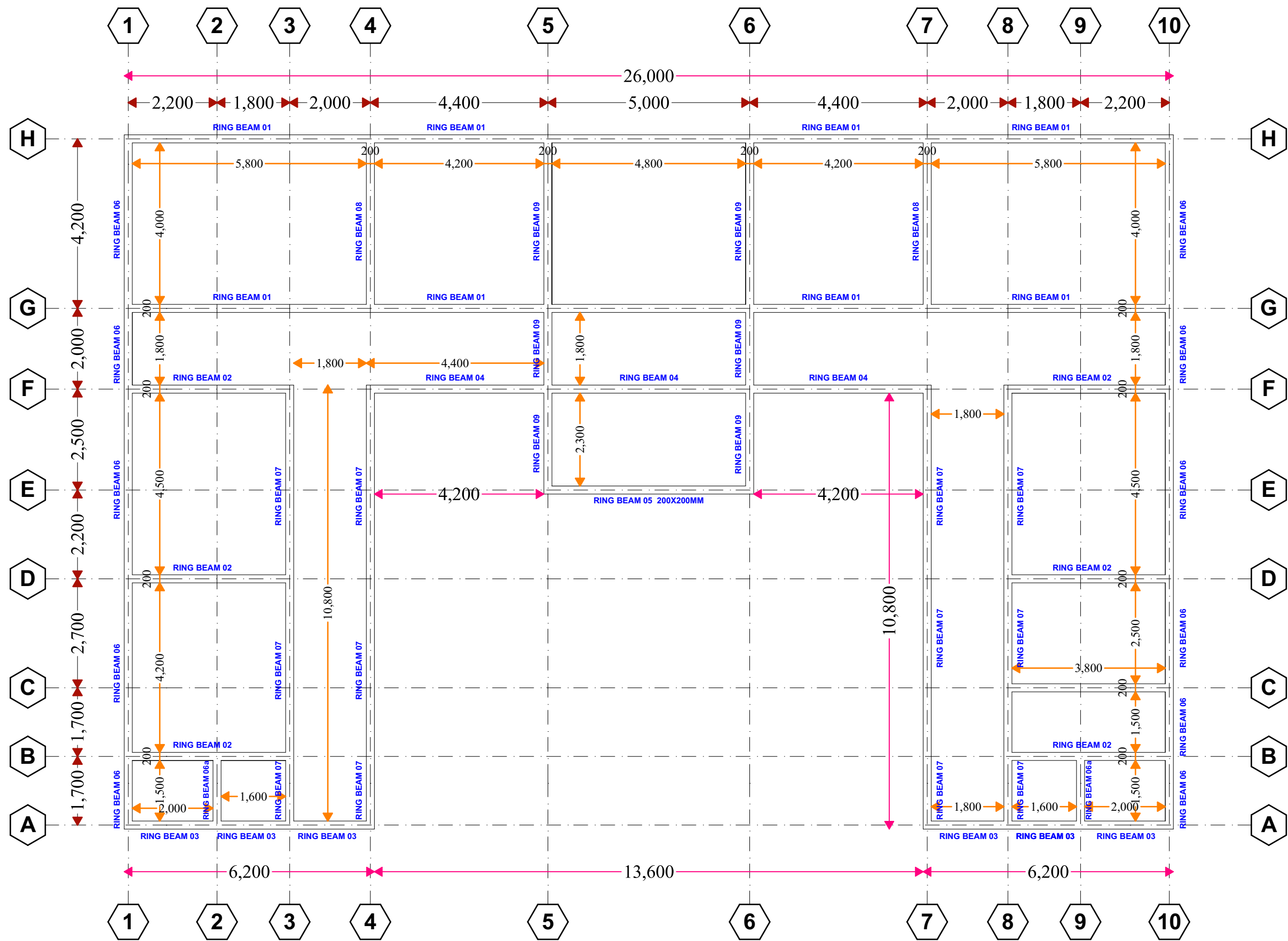
THE FEDERAL REPUBLIC OF SOMALIA  
JUBALAND STATE, GARBAHREY DISTRICT

Project Title:  
PROPOSED CONSTRUCTION OF MCH IN GARBAHREY DISTRICT, GEDO REGION

Drawing Title:  
**RING BEAM**

SCALE: AS SHOWN  
DATE: AUGUST 2018  
DRAWN BY: ENG. Duale Salah  
REVIEWED BY:

Sheet No.  
**10/25**  
A3



RING BEAM LAYOUT PLAN



# Notes

1. All dimensions are to be checked on site. Any discrepancy in dimensions is to be reported to the architect before any work commences. The Architect's drawings and specifications over rule any other. The Structural Engineers detail drawings.
2. All construction work to comply with the international standards codes protection.
3. The PV denotes permanent ventilation and must be provided above all doors and windows where indicated.
4. All walls less than 200mm thick are to be reinforced with hoop iron sheet every alternate course.
5. All reinforced concrete works to be done according to structural detail drawings.



No:	Date:	Description:
REVISION		

Implemented by:



International Organization for Migration (IOM)  
The UN Migration Agency

Client:

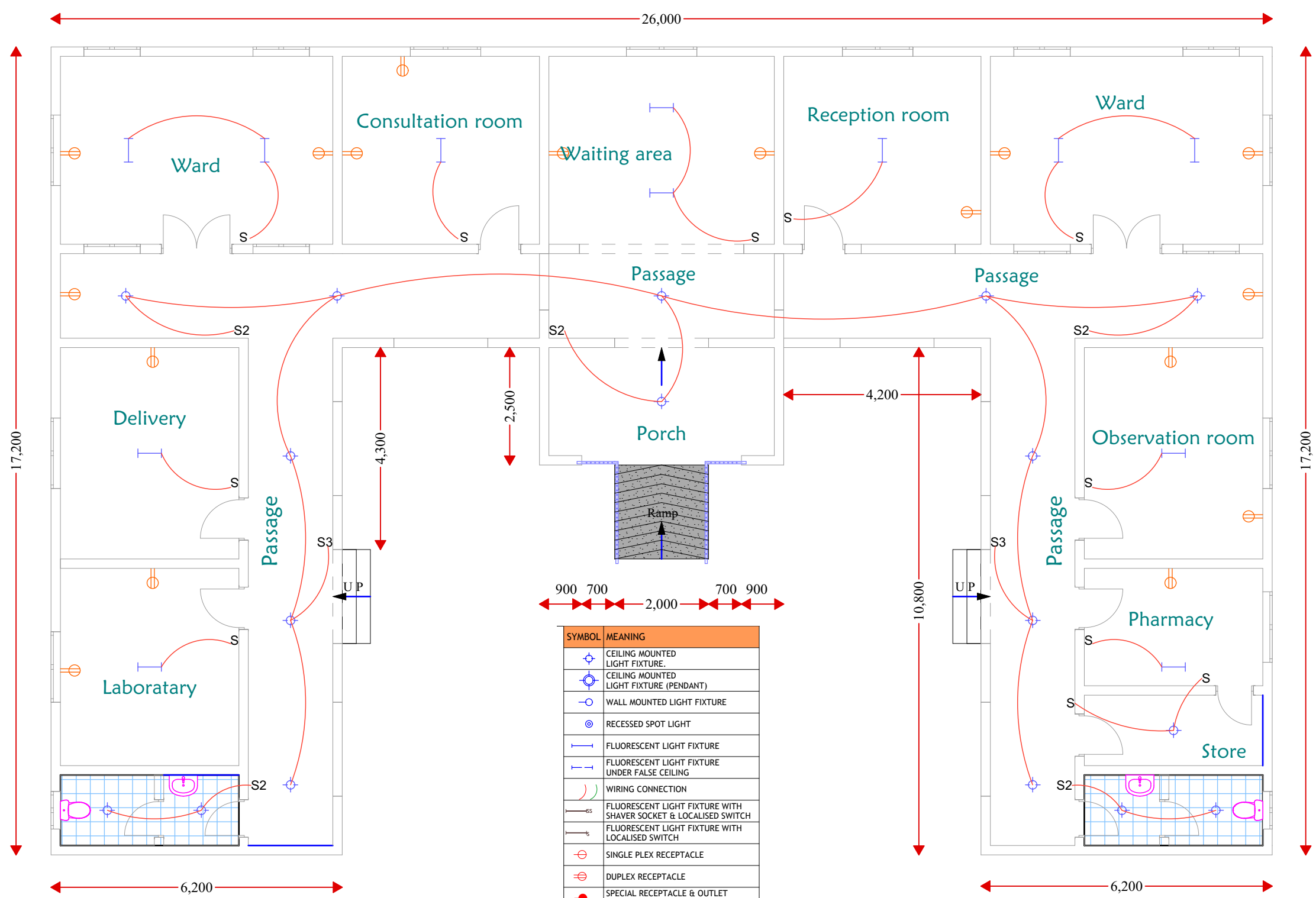
THE FEDERAL REPUBLIC OF SOMALIA      JUBALAND STATE, GARBHAREY DISTRICT

Project Title:  
PROPOSED CONSTRUCTION OF MCH IN GARBHAREY DISTRICT, GEDO REGION

Drawing Title:  
**ELECTRICAL PLAN**

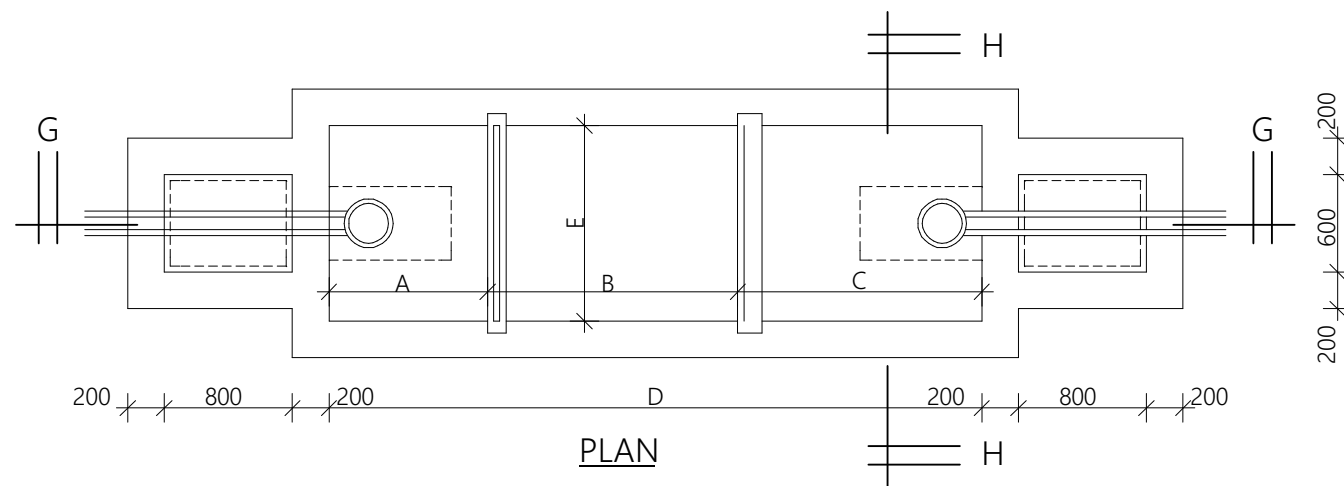
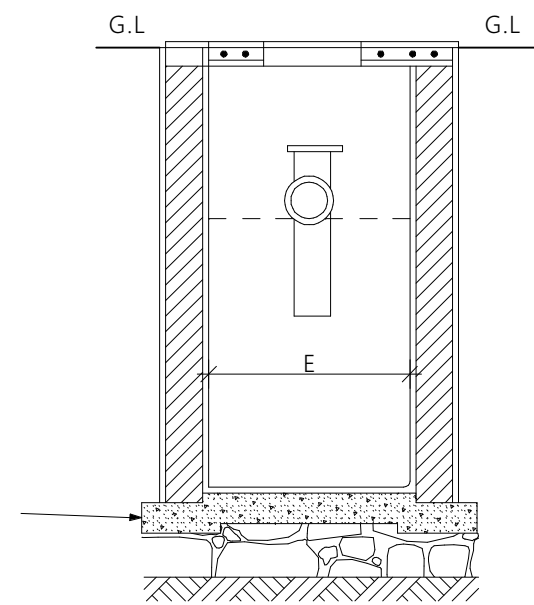
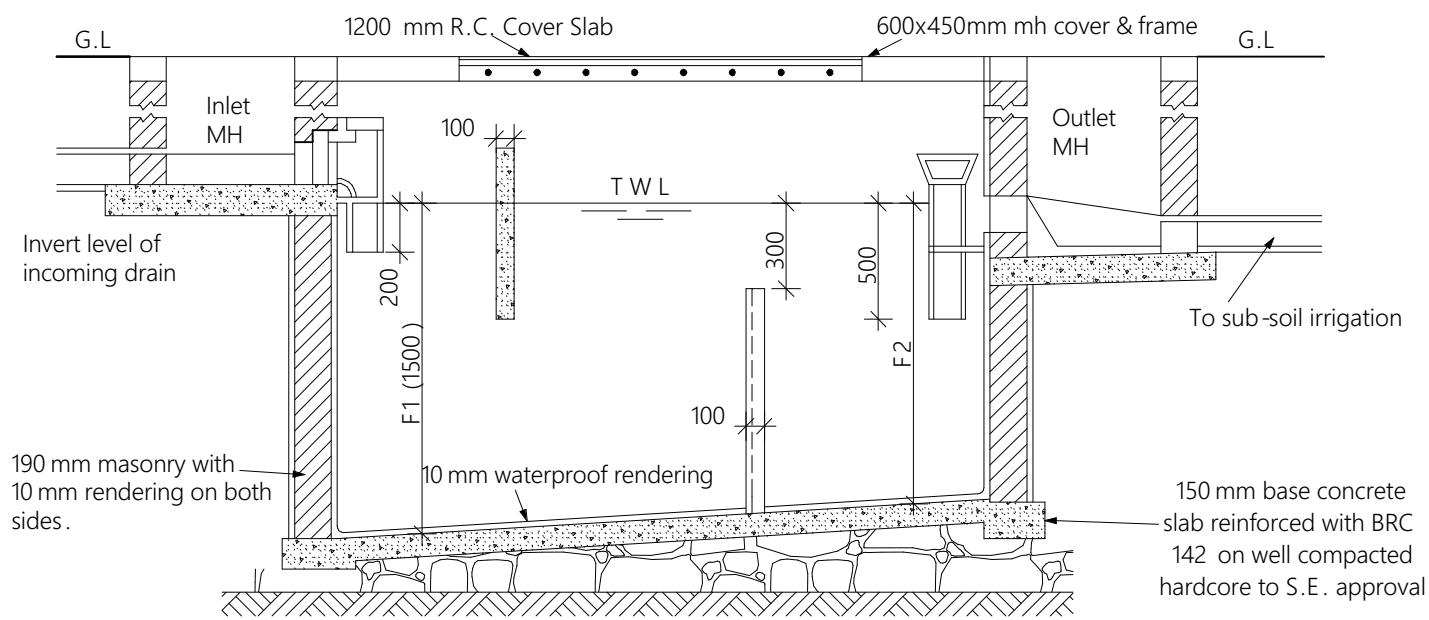
SCALE: AS SHOWN  
DATE: AUGUST 2018  
DRAWN BY: ENG. Duale Salah  
REVIEWED BY:

Sheet No.  
**11/25**  
A3



SYMBOL	MEANING
	CEILING MOUNTED LIGHT FIXTURE.
	CEILING MOUNTED LIGHT FIXTURE (PENDANT)
	WALL MOUNTED LIGHT FIXTURE
	RECESSED SPOT LIGHT
	FLUORESCENT LIGHT FIXTURE
	FLUORESCENT LIGHT FIXTURE UNDER FALSE CEILING
	WIRING CONNECTION
	FLUORESCENT LIGHT FIXTURE WITH SHAVER SOCKET & LOCALISED SWITCH
	FLUORESCENT LIGHT FIXTURE WITH LOCALISED SWITCH
	SINGLE PLEX RECEPTACLE
	DUPLEX RECEPTACLE
	SPECIAL RECEPTACLE & OUTLET (WITH PILOT LIGHT)
	WATER PROOF RECEPTACLE (SINGLE)
	CONSUMER UNIT
	TELEPHONE/TV JACK
	ALARM KEYPAD
	DOORBELL PUSH BUTTON
	DOORBELL TRANSFORMER
S3	3 gang switch
S2	2 gang switch
S	Single pole switch
	Flood lamp

# Electrical Plan



**NOTES**

- Cover slab to be reinforced with 10 mm dia. bar at 100 mm c/c ( conc. 20 / 20 mix 1:2:4)
- Base slab to be conc . class mix 1:3:6
- Outlet and inlet pipes to be 100 mm dia. cast iron.
- Scum baffle to be 100 mm thick reinforced with 2 No. 100 mm at both ends conc 80(20)
- Dividing wall to be 100 mm thick conc. class 20(20) reinforced with weld mesh No. 65.

TYPE	CAPACITY IN LITRES	No. OF PERSONS	DESLUDGING INTERVAL (YRS )	DIMENSIONS IN MM						
				A	B	C	D	E	F1	F2
A	3000	10	2	800	1000	1000	3000	800	1200	1400
B	6000	20	2	800	1400	1200	3600	1400	1500	1400
C	9000	30	2	800	1400	1200	3600	1800	1500	1400
D	12000	40	2	800	1600	1400	4000	2000	1500	1300
E	15000	50	2	800	1600	1400	4000	2400	1500	1200

**Notes**

- All dimensions are to be checked on site. Any discrepancy in dimensions is to be reported to the architect before any work commences. The Architect's drawings and specifications over rule any other. the Structural Engineers detail drawings.
- All construction work to comply with the international standards codes protection.
- The PV denotes permanent ventilation and must be provided above all doors and windows where indicated.
- All walls less than 200mm thick are to be reinforced with hoop iron sheet every alternate course.
- All reinforced concrete works to be done according to structural detail drawings

No:	Date:	Description:
REVISION		

Implemented by:



International Organization for Migration (IOM)  
The UN Migration Agency

Client:



THE FEDERAL REPUBLIC OF SOMALIA



JUBALAND STATE, GARBHAREY DISTRICT

Project Title:

PROPOSED CONSTRUCTION OF MCH IN GARBHAREY DISTRICT, GEDO REGION

Drawing Title:

**SEPTIC TANK**

SCALE: AS SHOWN

DATE: AUGUST 2018

DRAWN BY: **ENG. Duale Salah**

REVIEWED BY:

Sheet No.

**12/25**

A3



# Notes

1. All dimensions are to be checked on site. Any discrepancy in dimensions is to be reported to the architect before any work commences. The Architect's drawings and specifications over rule any other. The Structural Engineers detail drawings.
2. All construction work to comply with the international standards codes protection.
3. The PV denotes permanent ventilation and must be provided above all doors and windows where indicated.
4. All walls less than 200mm thick are to be reinforced with hoop iron sheet every alternate course.
5. All reinforced concrete works to be done according to structural detail drawings

No:	Date:	Description:
REVISION		

Implemented by:



International Organization for Migration (IOM)  
The UN Migration Agency

Client:



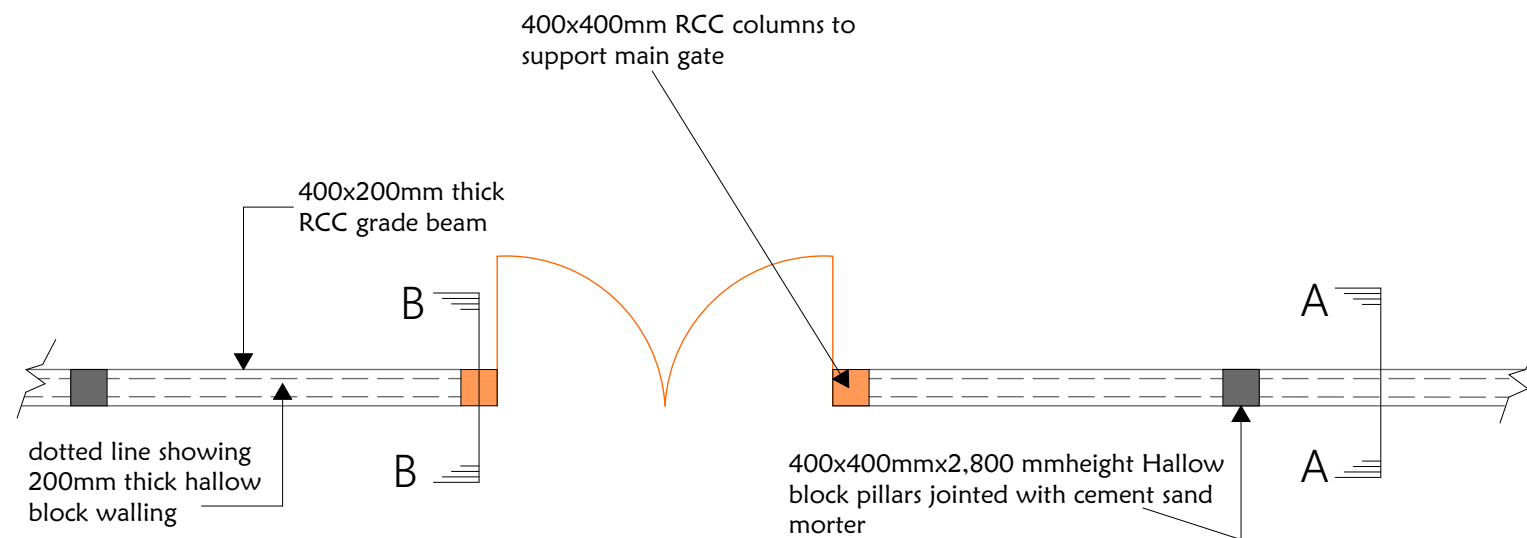
THE FEDERAL REPUBLIC OF SOMALIA  
JUBALAND STATE, GARBHAREY DISTRICT

Project Title:  
PROPOSED CONSTRUCTION OF MCH IN GARBHAREY DISTRICT, GEDO REGION

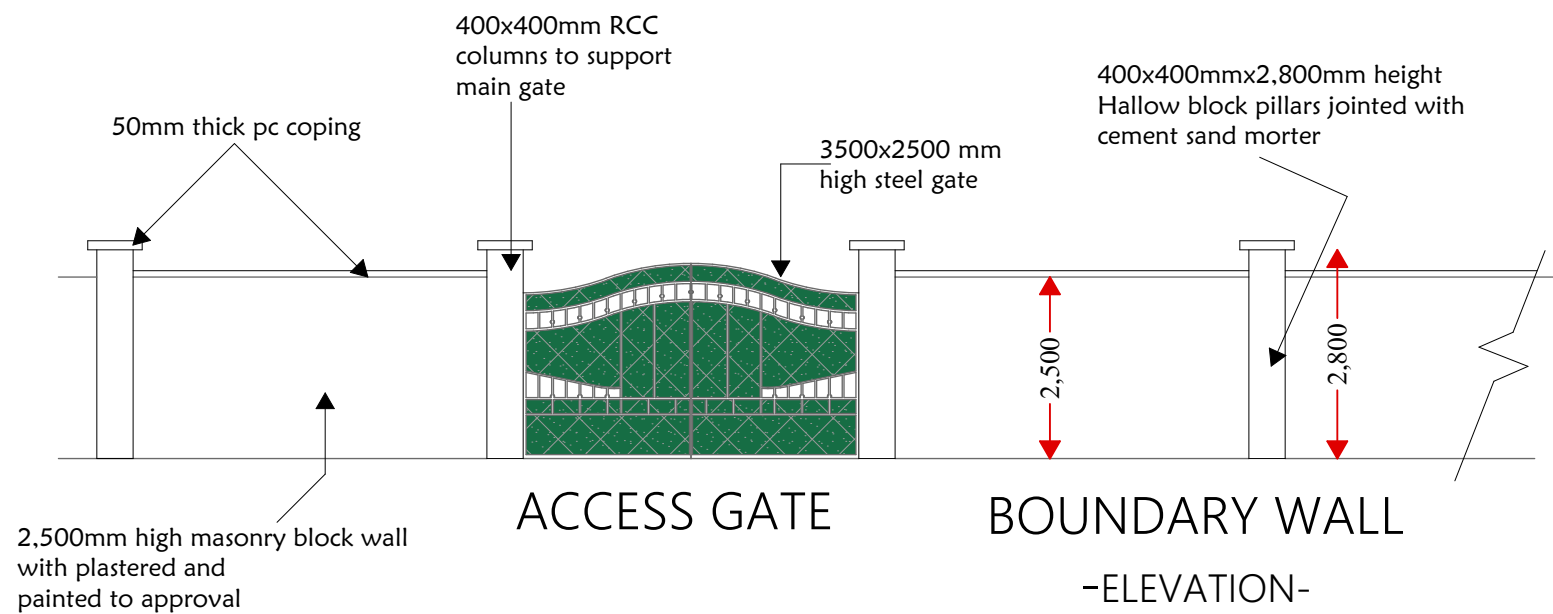
Drawing Title:  
**BOUNDARY WALL**

SCALE: AS SHOWN  
DATE: AUGUST 2018  
DRAWN BY: ENG. Duale Salah  
REVIEWED BY:

Sheet No.  
**13/25**  
A3

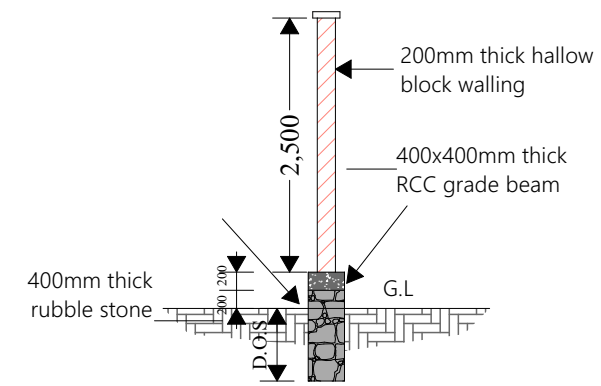


**BOUNDARY WALL**  
-FOUNDATION LAYOUT-

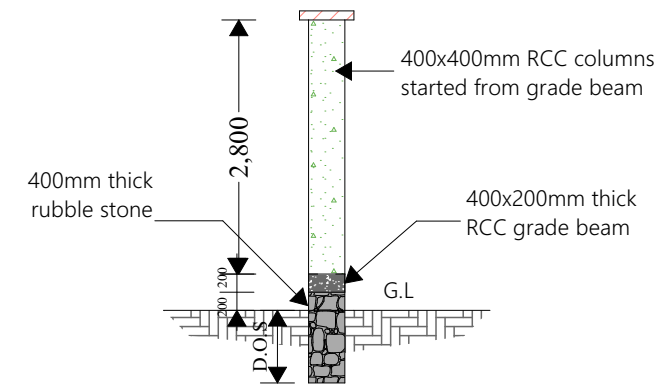


**ACCESS GATE**      **BOUNDARY WALL**  
-ELEVATION-

D.O.S.  
DETERMINED ON SITE MINIMUM 1000MM DEEP



**SECTION A-A**



**SECTION B-B**





# Notes

1. All dimensions are to be checked on site. Any discrepancy in dimensions is to be reported to the architect before any work commences. The Architect's drawings and specifications overrule any other, the Structural Engineers detail drawings.
2. All construction work to comply with the international standards codes protection.
3. The PV denotes permanent ventilation and must be provided above all doors and windows where indicated.
4. All walls less than 200mm thick are to be reinforced with hoop iron sheet every alternate course.
5. All reinforced concrete works to be done according to structural detail drawings.

No:	Date:	Description:
REVISION		

## Implemented by:



International Organization for Migration (IOM)  
The UN Migration Agency

## Client:



THE FEDERAL REPUBLIC  
OF SOMALIA



JUBALAND STATE,  
GARBAHREY DISTRICT

## Project Title:

PROPOSED CONSTRUCTION OF MCH IN  
GARBAHREY DISTRICT, GEDO REGION

## Drawing Title:

3D 01

SCALE: AS SHOWN

DATE: AUGUST 2018

DRAWN BY: **ENG. Duale Salah**

REVIEWED BY:

Sheet No.

14/25

A3





# Notes

1. All dimensions are to be checked on site. Any discrepancy in dimensions is to be reported to the architect before any work commences. The Architect's drawings and specifications overrule any other, the Structural Engineers detail drawings.
2. All construction work to comply with the international standards codes protection.
3. The PV denotes permanent ventilation and must be provided above all doors and windows where indicated.
4. All walls less than 200mm thick are to be reinforced with hoop iron sheet every alternate course.
5. All reinforced concrete works to be done according to structural detail drawings.

No:	Date:	Description:
REVISION		

### Implemented by:



International Organization for Migration (IOM)  
The UN Migration Agency

### Client:



THE FEDERAL REPUBLIC  
OF SOMALIA



JUBALAND STATE,  
GARBAHREY DISTRICT

### Project Title:

PROPOSED CONSTRUCTION OF MCH IN  
GARBAHREY DISTRICT, GEDO REGION

### Drawing Title:

3D 02

SCALE: AS SHOWN

DATE: AUGUST 2018

DRAWN BY: ENG. Duale Salah

REVIEWED BY:

Sheet No.

15/25

A3





# Notes

1. All dimensions are to be checked on site. Any discrepancy in dimensions is to be reported to the architect before any work commences. The Architect's drawings and specifications over rule any other. The Structural Engineers detail drawings.
2. All construction work to comply with the international standards codes protection.
3. The PV denotes permanent ventilation and must be provided above all doors and windows where indicated.
4. All walls less than 200mm thick are to be reinforced with hoop iron sheet every alternate course.
5. All reinforced concrete works to be done according to structural detail drawings.

No:	Date:	Description:
REVISION		

## Implemented by:



International Organization for Migration (IOM)  
The UN Migration Agency

## Client:



THE FEDERAL REPUBLIC OF SOMALIA



JUBALAND STATE, GARBAHREY DISTRICT

## Project Title:

PROPOSED CONSTRUCTION OF MCH IN GARBAHREY DISTRICT, GEDO REGION

## Drawing Title:

3D 03

SCALE: AS SHOWN

DATE: AUGUST 2018

DRAWN BY: ENG. Duale Salah

REVIEWED BY:

## Sheet No.

16/25

A3





# Notes

1. All dimensions are to be checked on site. Any discrepancy in dimensions is to be reported to the architect before any work commences. The Architect's drawings and specifications over rule any other, the Structural Engineers detail drawings.
2. All construction work to comply with the international standards codes protection.
3. The PV denotes permanent ventilation and must be provided above all doors and windows where indicated.
4. All walls less than 200mm thick are to be reinforced with hoop iron sheet every alternate course.
5. All reinforced concrete works to be done according to structural detail drawings

No:	Date:	Description:
REVISION		

## Implemented by:



International Organization for Migration (IOM)  
The UN Migration Agency

## Client:



THE FEDERAL REPUBLIC  
OF SOMALIA



JUBALAND STATE,  
GARBAHREY DISTRICT

## Project Title:

PROPOSED CONSTRUCTION OF MCH IN  
GARBAHREY DISTRICT, GEDO REGION

## Drawing Title:

3D 04

SCALE: AS SHOWN

DATE: AUGUST 2018

DRAWN BY: **ENG. Duale Salah**

REVIEWED BY:

## Sheet No.

17/25

A3





# Notes

1. All dimensions are to be checked on site. Any discrepancy in dimensions is to be reported to the architect before any work commences. The Architect's drawings and specifications over rule any other, the Structural Engineers detail drawings.
2. All construction work to comply with the international standards codes protection.
3. The PV denotes permanent ventilation and must be provided above all doors and windows where indicated.
4. All walls less than 200mm thick are to be reinforced with hoop iron sheet every alternate course.
5. All reinforced concrete works to be done according to structural detail drawings.

No:	Date:	Description:
REVISION		

Implemented by:



International Organization for Migration (IOM)  
The UN Migration Agency

Client:



THE FEDERAL REPUBLIC  
OF SOMALIA



JUBALAND STATE,  
GARBAHREY DISTRICT

Project Title:  
PROPOSED CONSTRUCTION OF MCH IN  
GARBAHREY DISTRICT, GEDO REGION

Drawing Title:  
**3D 05**

SCALE: **AS SHOWN**

DATE: **AUGUST 2018**

DRAWN BY: **ENG. Duale Salah**

REVIEWED BY:

Sheet No.  
**18/25**  
A3





# Notes

1. All dimensions are to be checked on site. Any discrepancy in dimensions is to be reported to the architect before any work commences. The Architect's drawings and specifications over rule any other, the Structural Engineers detail drawings.
2. All construction work to comply with the international standards codes protection.
3. The PV denotes permanent ventilation and must be provided above all doors and windows where indicated.
4. All walls less than 200mm thick are to be reinforced with hoop iron sheet every alternate course.
5. All reinforced concrete works to be done according to structural detail drawings

No:	Date:	Description:
REVISION		

Implemented by:



International Organization for Migration (IOM)  
The UN Migration Agency

Client:



THE FEDERAL REPUBLIC  
OF SOMALIA



JUBALAND STATE,  
GARBAHREY DISTRICT

Project Title:

PROPOSED CONSTRUCTION OF MCH IN  
GARBAHREY DISTRICT, GEDO REGION

Drawing Title:

3D 06

SCALE: AS SHOWN

DATE: AUGUST 2018

DRAWN BY: **ENG. Duale Salah**

REVIEWED BY:

Sheet No.

19/25

A3





# Notes

1. All dimensions are to be checked on site. Any discrepancy in dimensions is to be reported to the architect before any work commences. The Architect's drawings and specifications over rule any other, the Structural Engineers detail drawings.
2. All construction work to comply with the international standards codes protection.
3. The PV denotes permanent ventilation and must be provided above all doors and windows where indicated.
4. All walls less than 200mm thick are to be reinforced with hoop iron sheet every alternate course.
5. All reinforced concrete works to be done according to structural detail drawings

No:	Date:	Description:
REVISION		

Implemented by:



International Organization for Migration (IOM)  
The UN Migration Agency

Client:



THE FEDERAL REPUBLIC  
OF SOMALIA



JUBALAND STATE,  
GARBAHREY DISTRICT

Project Title:

PROPOSED CONSTRUCTION OF MCH IN  
GARBAHREY DISTRICT, GEDO REGION

Drawing Title:

3D 07

SCALE: AS SHOWN

DATE: AUGUST 2018

DRAWN BY: **ENG. Duale Salah**

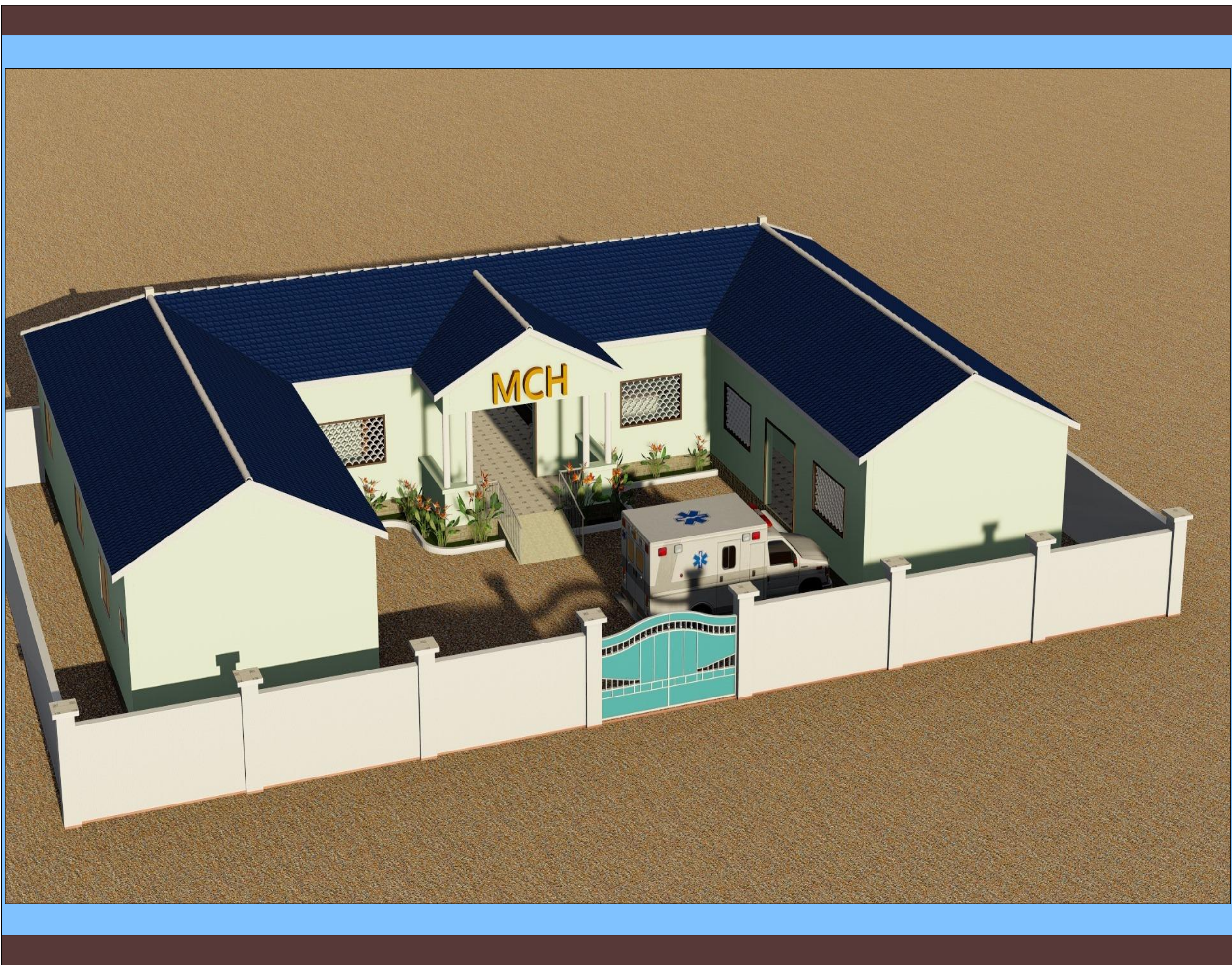
REVIEWED BY:

Sheet No.

20/25

A3





# Notes

1. All dimensions are to be checked on site. Any discrepancy in dimensions is to be reported to the architect before any work commences. The Architect's drawings and specifications over rule any other, the Structural Engineers detail drawings.
2. All construction work to comply with the international standards codes protection.
3. The PV denotes permanent ventilation and must be provided above all doors and windows where indicated.
4. All walls less than 200mm thick are to be reinforced with hoop iron sheet every alternate course.
5. All reinforced concrete works to be done according to structural detail drawings

No:	Date:	Description:
REVISION		

Implemented by:



International Organization for Migration (IOM)  
The UN Migration Agency

Client:



THE FEDERAL REPUBLIC  
OF SOMALIA



JUBALAND STATE,  
GARBAHREY DISTRICT

Project Title:

PROPOSED CONSTRUCTION OF MCH IN  
GARBAHREY DISTRICT, GEDO REGION

Drawing Title:

3D 08

SCALE:

AS SHOWN

DATE:

AUGUST 2018

DRAWN BY:

ENG. Duale Salah

REVIEWED BY:

Sheet No.

21/25

A3





# Notes

1. All dimensions are to be checked on site. Any discrepancy in dimensions is to be reported to the architect before any work commences. The Architect's drawings and specifications over rule any other, the Structural Engineers detail drawings.
2. All construction work to comply with the international standards codes protection.
3. The PV denotes permanent ventilation and must be provided above all doors and windows where indicated.
4. All walls less than 200mm thick are to be reinforced with hoop iron sheet every alternate course.
5. All reinforced concrete works to be done according to structural detail drawings.

No:	Date:	Description:
REVISION		

### Implemented by:



International Organization for Migration (IOM)  
The UN Migration Agency

### Client:



THE FEDERAL REPUBLIC  
OF SOMALIA



JUBALAND STATE,  
GARBAHREY DISTRICT

### Project Title:

PROPOSED CONSTRUCTION OF MCH IN  
GARBAHREY DISTRICT, GEDO REGION

### Drawing Title:

3D 09

SCALE: AS SHOWN

DATE: AUGUST 2018

DRAWN BY: ENG. Duale Salah

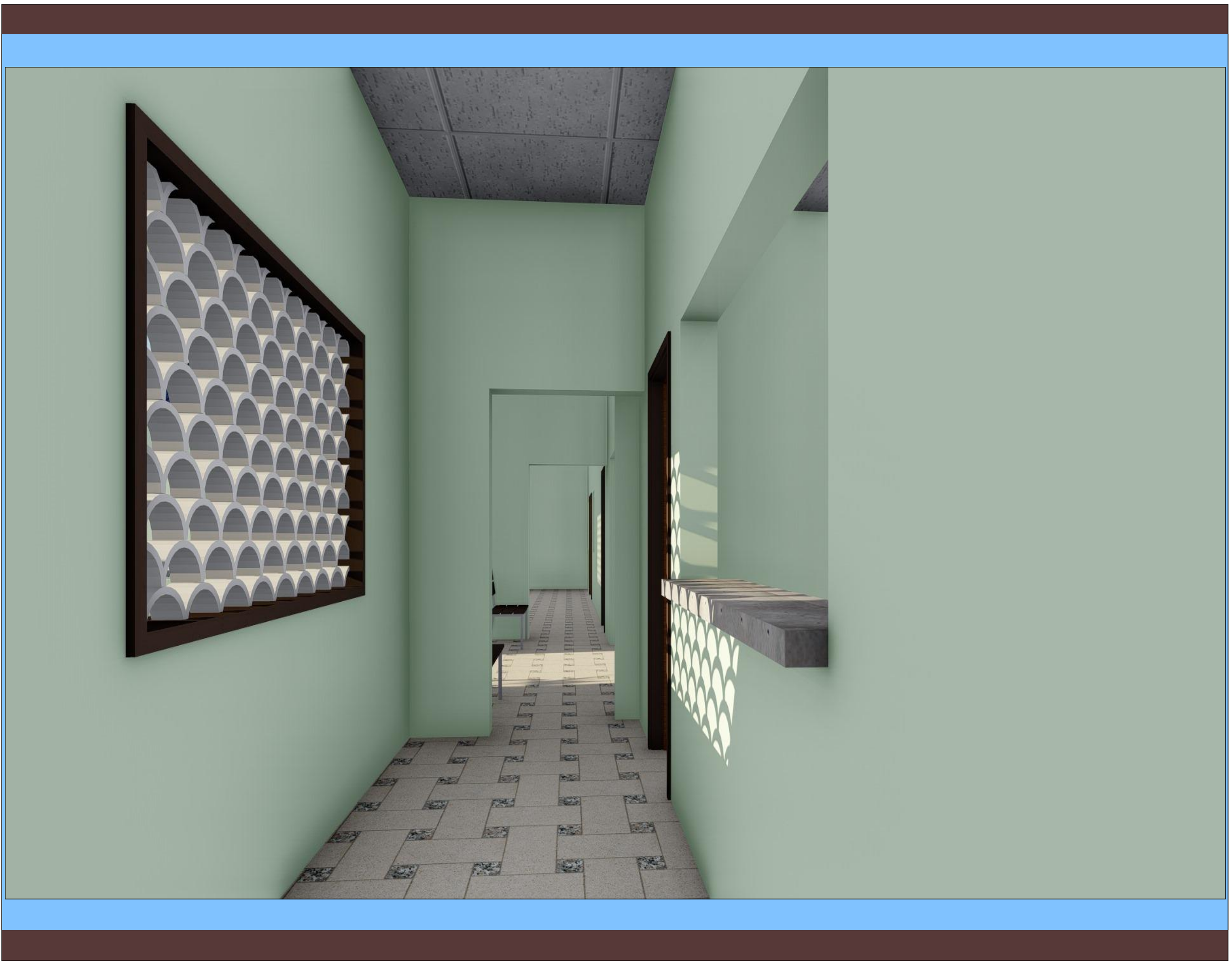
REVIEWED BY:

Sheet No.

22/25

A3





# Notes

1. All dimensions are to be checked on site. Any discrepancy in dimensions is to be reported to the architect before any work commences. The Architect's drawings and specifications over rule any other. The Structural Engineers detail drawings.
2. All construction work to comply with the international standards codes protection.
3. The PV denotes permanent ventilation and must be provided above all doors and windows where indicated.
4. All walls less than 200mm thick are to be reinforced with hoop iron sheet every alternate course.
5. All reinforced concrete works to be done according to structural detail drawings

No:	Date:	Description:
REVISION		

**Implemented by:**

International Organization for Migration (IOM)  
The UN Migration Agency

**Client:**

THE FEDERAL REPUBLIC OF SOMALIA      JUBALAND STATE, GARBHAREY DISTRICT

Project Title:  
PROPOSED CONSTRUCTION OF MCH IN GARBHAREY DISTRICT, GEDO REGION

Drawing Title:  
**3D 10**

SCALE: AS SHOWN  
DATE: AUGUST 2018  
DRAWN BY: **ENG. Duale Salah**  
REVIEWED BY:

Sheet No.  
**23/25**  
A3



# Notes

1. All dimensions are to be checked on site. Any discrepancy in dimensions is to be reported to the architect before any work commences. The Architect's drawings and specifications over rule any other, the Structural Engineers detail drawings.
2. All construction work to comply with the international standards codes protection.
3. The PV denotes permanent ventilation and must be provided above all doors and windows where indicated.
4. All walls less than 200mm thick are to be reinforced with hoop iron sheet every alternate course.
5. All reinforced concrete works to be done according to structural detail drawings.

No:	Date:	Description:
REVISION		

### Implemented by:



International Organization for Migration (IOM)  
The UN Migration Agency

### Client:



THE FEDERAL REPUBLIC  
OF SOMALIA



JUBALAND STATE,  
GARBAHREY DISTRICT

### Project Title:

PROPOSED CONSTRUCTION OF MCH IN  
GARBAHREY DISTRICT, GEDO REGION

### Drawing Title:

3D 11

SCALE: AS SHOWN

DATE: AUGUST 2018

DRAWN BY: ENG. Duale Salah

REVIEWED BY:

### Sheet No.

24/25

A3





# Notes

1. All dimensions are to be checked on site. Any discrepancy in dimensions is to be reported to the architect before any work commences. The Architect's drawings and specifications overrule any other, the Structural Engineers detail drawings.
2. All construction work to comply with the international standards codes protection.
3. The PV denotes permanent ventilation and must be provided above all doors and windows where indicated.
4. All walls less than 200mm thick are to be reinforced with hoop iron sheet every alternate course.
5. All reinforced concrete works to be done according to structural detail drawings.

No:	Date:	Description:
REVISION		

## Implemented by:



International Organization for Migration (IOM)  
The UN Migration Agency

## Client:



THE FEDERAL REPUBLIC  
OF SOMALIA



JUBALAND STATE,  
GARBAHREY DISTRICT

## Project Title:

PROPOSED CONSTRUCTION OF MCH IN  
GARBAHREY DISTRICT, GEDO REGION

## Drawing Title:

3D 12

SCALE: AS SHOWN

DATE: AUGUST 2018

DRAWN BY: ENG. Duale Salah

REVIEWED BY:

## Sheet No.

25/25

A3